

ARTIFICIAL PERCHES FOR RAPTORS

Plans and Instructions

United States
Department of
Agriculture

Natural
Resources
Conservation
Service
Davis, CA 95616

ENCOURAGE RAPTORS IN YOUR AREA FOR MORE EFFICIENT RODENT CONTROL

Raptors are birds of prey that are greatly beneficial in controlling of rodents. A small, one-time investment in artificial perches can help increase the presence of these birds in your area, reducing the need for other methods of pest control.

PERCH SITES

Raptors hunt in open areas such as mowed alfalfa fields, golf courses, vineyards, along roadsides, ditch banks, rural school grounds and meadows. Any of these areas are good potential perch sites.

By providing strategically-located vantage points to these sharp-sighted birds through artificial perches you can help improve the hunting efficiency of raptors, reducing rodent pests. These perches can be especially valuable in the winter and early spring, before the primary rodent breeding season when many crops are either absent or provide little

While we are not familiar with any studies of the impact of artificial perches on rodent populations, it would clearly be beneficial to your raptor population if artificial perches make it easier for them to spot prey or help them use less energy to hunt.

IMPORTANT POINTS TO CONSIDER

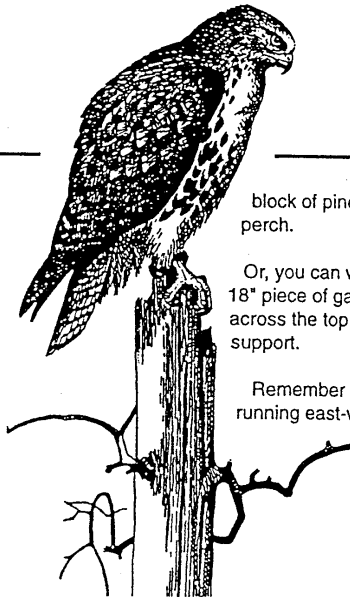
All perches should be placed with the horizontal axis pointing east-west to avoid instability due to wind direction and changing visibility due to sun and moonlight.

Artificial perches are readily accepted by many resident raptors, including American kestrels, barn owls, great horned owls, burrowing owls, short-eared owls, red-tailed and red-shouldered hawks and black-shouldered kites.

Perches can be erected any time of year. The acceptance and use of the perches by raptors indicate that perches may prove useful as a management tool for raptors.

BUILDING A PERCH

Artificial perches are easy to build. The ideal material is 3/4" galvanized steel pipe, 18' long. Set the pipe about 3 feet deep in the ground with an 18" x 2" x 2" rounded edge



block of pine or redwood as the perch.

Or, you can weld a 1 1/2" x 2" x 18" piece of galvanized steel pipe across the top of the vertical support.

Remember to place the perch running east-west, longways.

Job sheet compiled by Patrick J. Burke, (Natural Resources Conservation Service, Escondido) from a research paper, "Raptor Use of Artificial Perches," by Timothy R. Hall, Walter E. Howard and Rex E. Marsh, Wildlife and Fisheries Biology, University of California at Davis, 1980 and 1981.

Revised January 1996

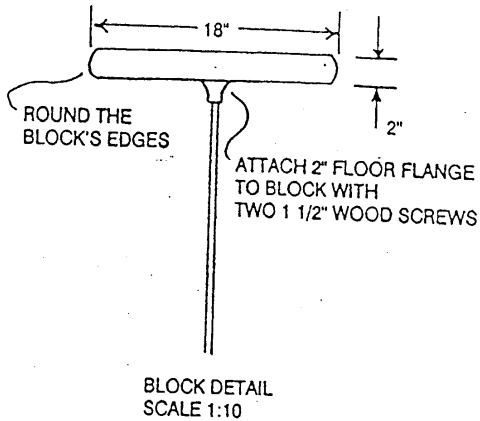
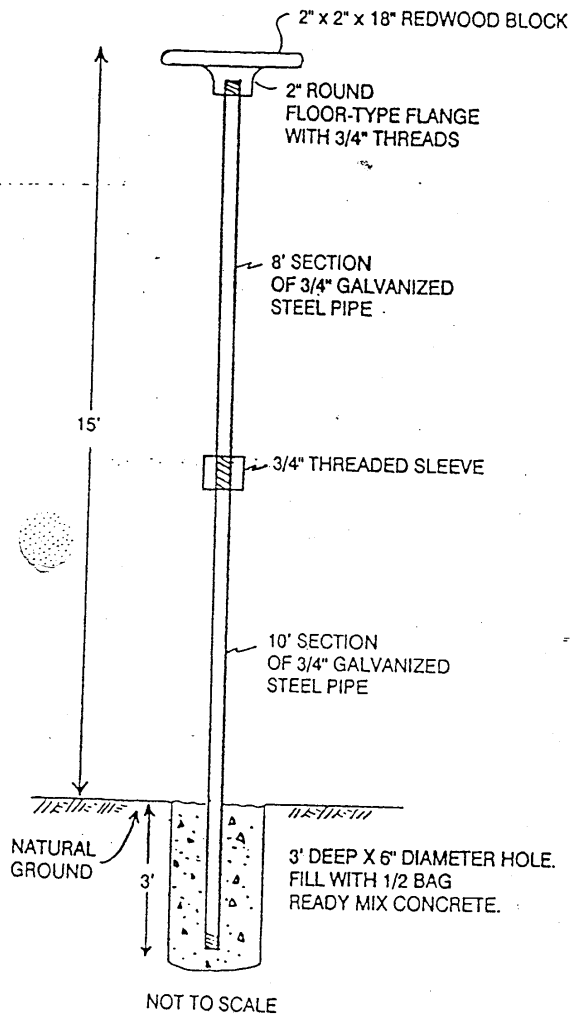
Job Sheet CA-502

The United States Department of Agriculture (USDA) prohibits discrimination in its programs on the basis of race, color, national origin, sex, religion, age, disability, political beliefs, marital or familial status. (Not all prohibited bases apply to all programs). Persons with disabilities who require alternative means for communication of program information (Braille, large print, audiotape, etc) should contact the USDA Office of Communications at (202) 720-5881 (voice) or (202) 720-7808 (TDD).

To file a complaint, write the Secretary of Agriculture, U.S. Department of Agriculture, Washington, D.C., 20250, or call (202) 690-1538 (voice) or (202) 720-1127 (TDD). USDA is an equal employment opportunity employer.

ARTIFICIAL PERCHES FOR RAPTORS

Plans



MATERIALS

- A. TWO 10' SECTIONS GALVANIZED STEEL POPE, 3.4" DIAMETER
- B. ONE 2"X2"X18" REDWOOD BLOCK
- C. TWO 1 1/2" WOOD SCREWS
- D. ONE CUBIC FOOT READY MIX CONCRETE
- E. ONE 2"X3/4" FLOOR FLANGE
- F. ONE 3/4" THREADED SLEEVE
- G. ONE CAN "DUNE TAN" RUST PREVENTIVE SPRAY PAINT

NOTES

1. PAINT ALL ABOVE-GROUND STEEL WITH "DUNE TAN" RUST PREVENTIVE PAINT.
2. MIX CONCRETE AS RECOMMENDED BY MANUFACTURER.
3. ORIENT THE PERCH EAST TO WEST TO MINIMIZE GLARE..

REFERENCE

THE WILDLIFE SOCIETY
VOLUME 9, NUMBER 4, WINTER 1981
PAGES 296-298